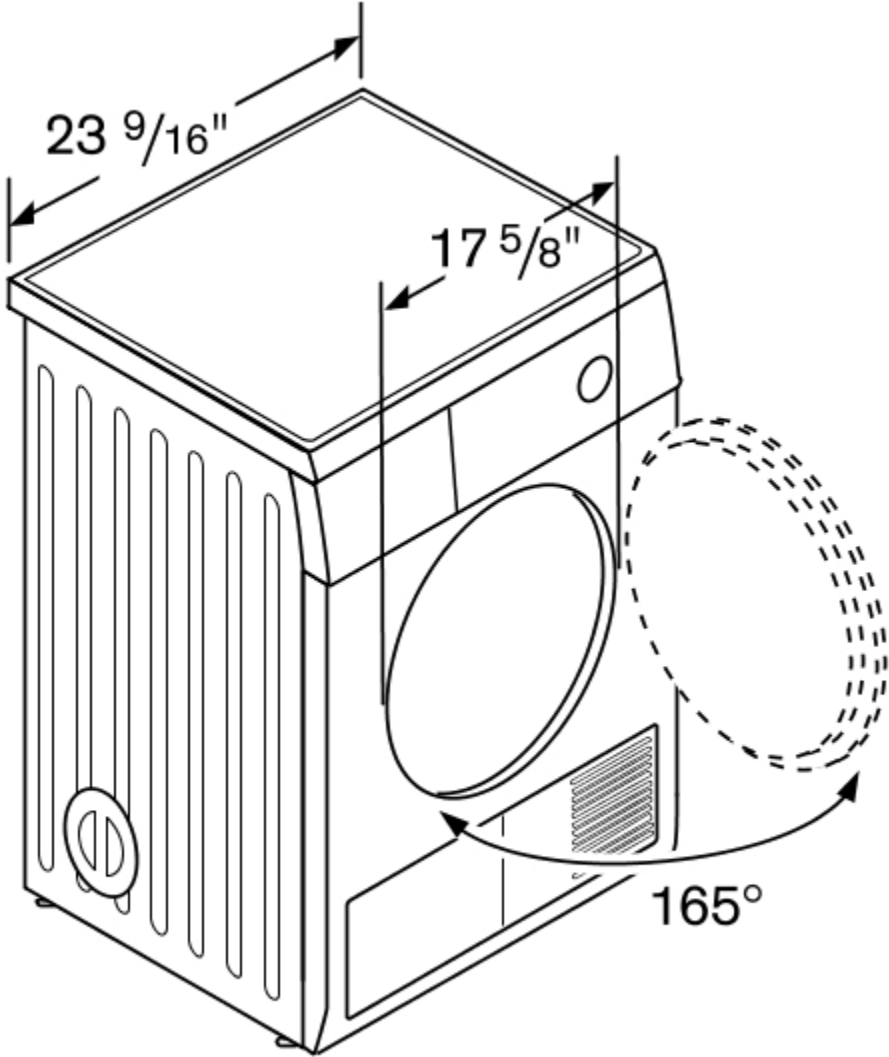


## Technical Specifications

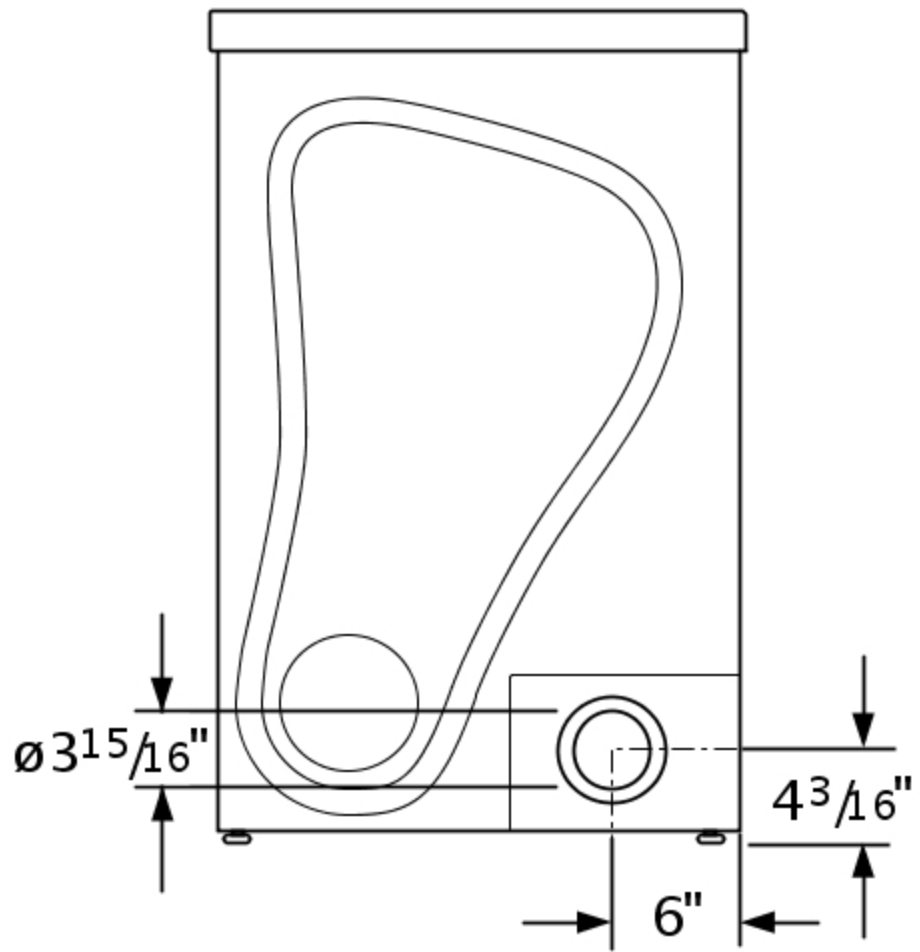
Door Hinge:	Right-hand
Energy Source:	electric
Watts (W):	2,800 W
Current (A):	13 A
Volts (V):	240/208 V
Frequency (Hz):	60 Hz
Approval certificates:	CE, CSA, UL
Plug type:	240V-4 prong
Capacity cotton (Kg):	7 kg
Dryer Type:	Vented
Silence level (dBA):	dB
Moisture monitoring system:	Autom thr electr damp detect
Timed Dry:	Yes
Adjustable drying temperature:	Yes
Interior light:	No
Location of Vent:	At rear, Left-hand
Status indicator:	LED
Display:	No
Delay Start:	No delay
Start delay time max (h):	0 h
Linter Filter Indicator:	Yes
Tub Material:	Stainless steel
Brand:	Bosch
SKU:	WTV76100US
Door ring:	Silver
Buttons:	
Dial:	
Power cord included:	Yes
Net weight (lbs):	95 lbs
Gross weight (lbs):	97 lbs
Capacity (cu. ft.):	3.9 Cu Ft
ADDITIONAL_PROPERTY_15:	
Power cord length (in):	" 33 3/16" x 23 9/16" x 24 5/8"
Overall appliance dimensions (HxWxD) (in):	"
Product packaging dimensions (HxWxD) (in):	34.25 x 24.80 x 27.55 "
UPC code:	825225852209
Length outlet hose (in):	78.74 "
Length inlet hose (in):	"
Stackability:	Yes
Timed Dry:	Yes
Air fluff / no heat:	No

Jeans:	No
ActiveWear:	No
Number of Options:	2
Delicates:	Yes
Signal:	No
Extended wrinkleblock:	No

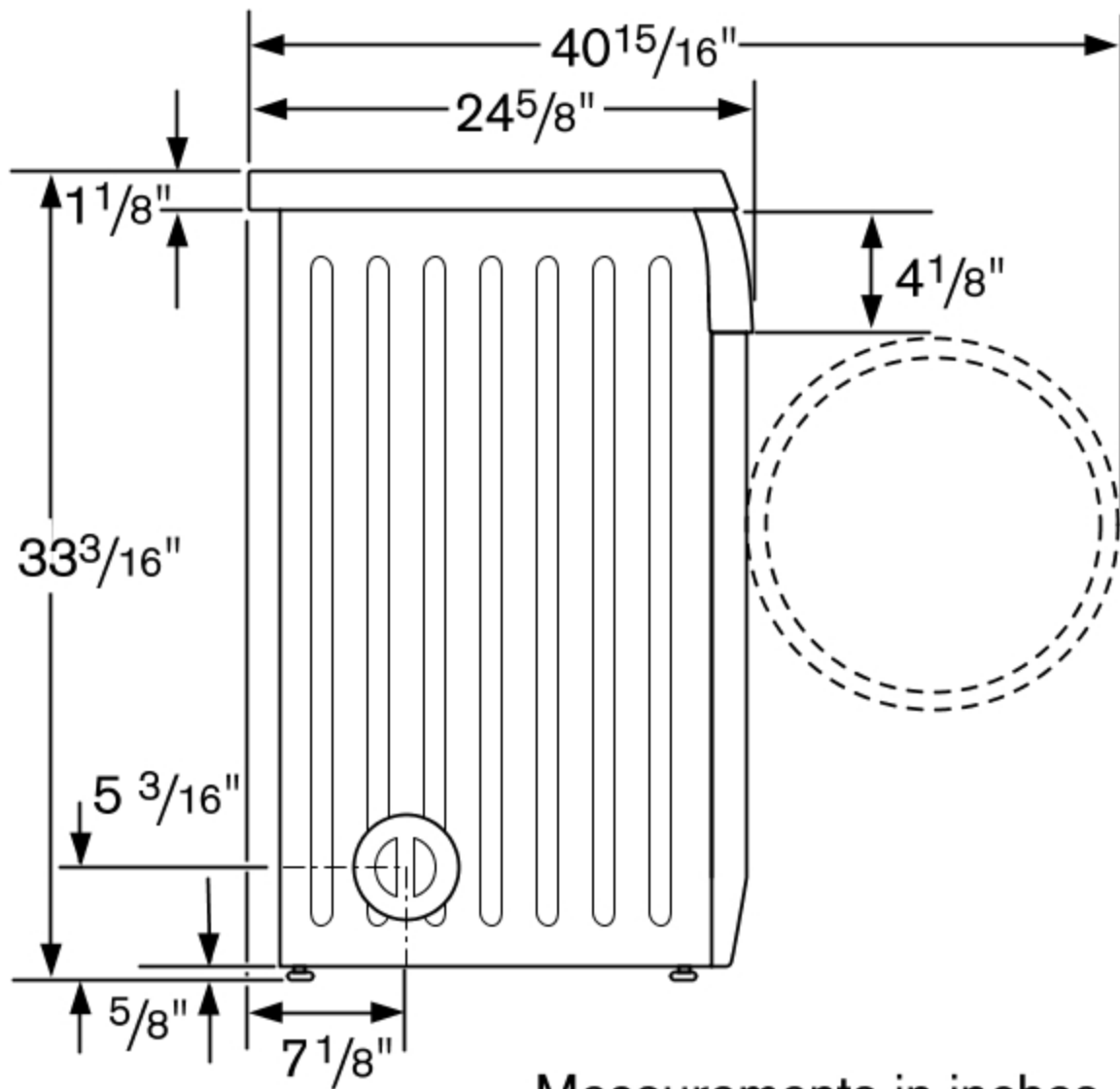
**Installation Diagrams**



Measurements in inches



Measurements in inche



Measurements in inches